

Tyler® High Speed Router Head

A flexible high speed head for production routing applications on your new or existing equipment.



The Tyler® High Speed Router Head is used for machining hard and soft woods, plywood, hard-board, particleboard, non-ferrous metals and many plastics. The rigid construction and flexible mounting capabilities work well in routing, scoring, edge shaping and mortising operations.

It can be set-up and operated in any position and can be used as either a single station unit or as a

secondary cutting head on existing equipment. Tyler Router Heads are available in right-hand, left-hand, centered and multiple spindle configurations, and all models have one or more mounting surfaces.

The spindle shaft is precision ground, hardened steel with an integral collet chuck. The spindle unit is complete with collet chuck, collet nut, one collet and two

spindle wrenches. The spindle bearings are permanently sealed and grease lubricated. The spindle drive motor is 2, 3, 5 or 7½ HP, depending on configurations. Units available with 1, 2, 3 or 4 spindles and four spindle speeds between 7,500 and 20,000 RPM are available. Standard and heavy-duty spindle assemblies are available with collet capacity from ¼" to 9/16."



At a glance:

- Universal mounting via multiple mounting surface configurations
- Spindle drive motors available in 2, 3, 5 and 7 ½ HP sizing
- Precision spindle produced from hardened steel, integral coltachuck
- Wide range of collet sizing (1/4" to 9/16" capacity)

What it is:

High speed routing head

What it does:

- Machines a variety of materials (hard and soft woods, non-ferrous metals, soft plastics)
- Used in a variety of routing operations

Tyler®

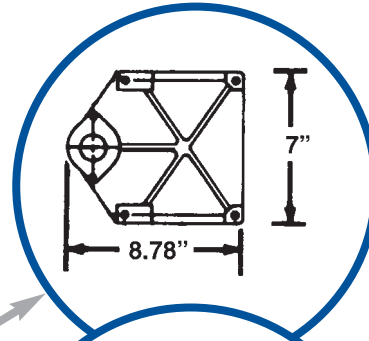
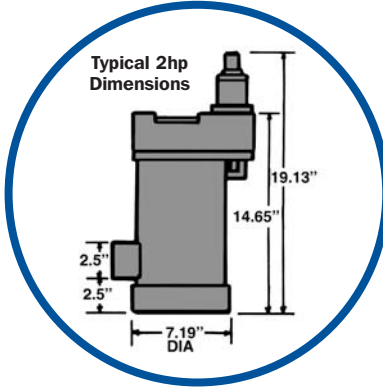
Warsaw Machinery, Inc.

www.warsawmachinery.com

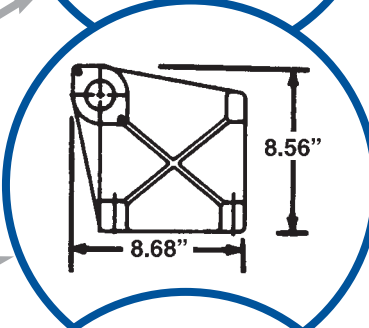
General Specifications



Collets	
Size	Part No.
1/4"	4B1D
5/16"	4B1G
3/8"	4B1E
7/16"	4B1H
1/2"	4B1F
9/16"	4B1AU

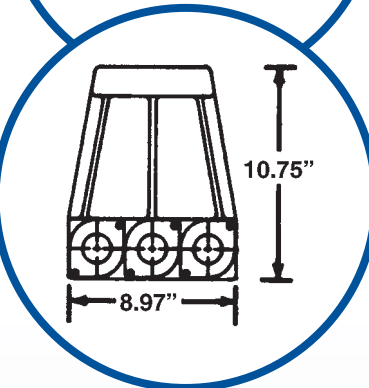


Cat. No. E-9003XXX
Center Assembly (4 mounting surfaces)



Cat. No. E-9001XXX
Left Hand Assembly
Cat. No. E-9002XXX
Right Hand Assembly - shown
(1 mounting surface) 20,000 RPM

Cat. No. E-9007XXX
Three Spindle Assembly (1 mounting surface)



- Tyler®**
- Dovetailer-French
 - Router
 - Drill Head
 - Double End Tenoner
 - Undercut Dado Machine
 - Multi-Spindle Panel Router
 - Panel Feeder
 - Hopper Feeder

- MBD®**
- CNC Automatic Bandsawing System
 - Vertical Industrial 36" Bandsaw
 - Resaw Attachment
 - Band Resaw
 - Block Cutting Bandsaw

- Handy®**
- Econo Frame
 - Revolving Frame Clamps
 - Louvered Door Assembly
 - Frame Clamping
 - Case Clamping Machines

Since the manufacturer continuously strives to improve its products, it reserves the right to make changes and modifications without notice. For illustrative purposes only, some machinery may appear without guards or safety devices.



warsawmachinery.com

Warsaw Machinery, Inc.
610 S. Detroit Street, Warsaw, IN 46580
Phone: 574-267-5355 • Fax: 574-267-5366
E-mail: info@warsawmachinery.com